

# CLEANER SEPARATOR FOR CEREALS AND SEEDS

- Has two oscillating sieves to ensure perfect balancing and machine stability
- Interchangeable anti-clogging sieves made from galvanized sheet metal, with rubber balls for maintaining cleanliness of the perforated grid
- 3 sieve tiers
- The first and second tiers separate out coarse-textured impurities
- The third tier separates out fine impurities
- One or two extractor fans suck out the impurities as the product enters and exits.
- Photo M100

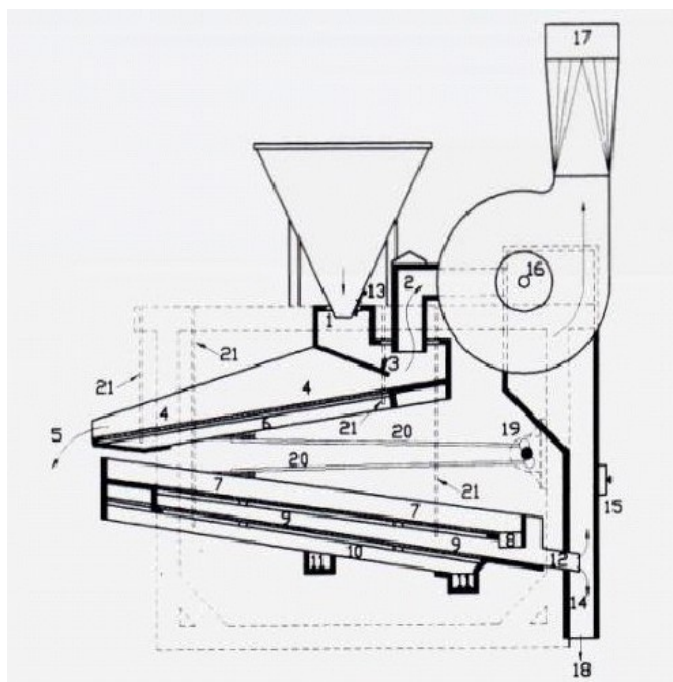


## **One hundred years of experience in cereal cleaning**

On the strength of 100 years of experience in the field of cleaning cereal, seed, and especially rice and cereals that are very difficult to clean, ZANOTTI cleaner-separators are constructed according to a simple, tried and tested design.

Loading hopper

- 1 First suction chamber
- 2 Distribution shelf
- 3 First transit through the sieve
- 4 Unloading of coarse-textured impurities
- 5 Product recovery tray
- 6 Second transit through the sieve
- 7 Discharge spout for medium sized impurities
- 8 Third transit through the sieve
- 9 Recovery tray for the impurities
- 10 Recovery tray for purified product
- 14 Pipe to second suction chamber
- 15 Suction control
- 16 centrifugal extractor fan
- 17 Unloading spout for light impurities
- 18 Exit of purified product
- 19 Crankshaft
- 20 Drive shaft with alternating torque
- 20 Flexure rods



Note : model M 200 and M 400 are equipped with two centrifugal fans (16)

Model	LENGHT	WIDTH	HEIGHT	MOTOR	MASS KG
M/50	2500 MM	850 MM	1650 MM	2 HP	350
M/100	2500 MM	1170 MM	2100 MM	3 HP	500
M/150	2500 MM	1720 MM	2100 MM	4 HP	600
M/200 2V	2500 MM	2350 MM	2100 MM	5,5 HP	1000
M/400 2V	4000 MM	2350 MM	2100 MM	7,5 HP	1500

Pre-cleaning capacity (tonnes per hour, t/h)				
Model	RICE	WHEAT	MAIZE	SOYA
M/50	20	20	50	50
M/100	50	100	120	120
M/150	90	150	180	180
M/200 2V	150	250	300	300
M/400 2V	250	500	600	600

EUROTECHNICK

Le pont turpin

61370 ECHAUFFOUR

FRANCE

Tel : +33 (0)2 33 34 14 79

E-mail : contact@eurotechnick.com

Fax : +33(0)2 33 34 47 97

www.eurotechnick.com